

GAS FILTERS

Gas filter up to 100 bar
Filtri gas fino a 100 bar



Compact type aluminium filter
Filtro in alluminio tipo compact

| Type | Code | MAX pressure bar | Connections DN |
|-------|-----------|------------------|----------------|
| 10001 | FLT320215 | 2 | 1/2" |
| 10002 | FLT320220 | 2 | 3/4" |
| 10001 | FLT320615 | 6 | 1/2" |
| 10002 | FLT320620 | 6 | 3/4" |



Aluminium filter threaded connections
Filtro in alluminio con attacchi filettati

| Type | Code | MAX pressure bar | Connections DN |
|-------|-----------|------------------|----------------|
| FM020 | FLT310615 | 6 | 1/2" |
| FM030 | FLT310620 | 6 | 3/4" |
| FM040 | FLT310625 | 6 | 1" |
| FM050 | FLT310632 | 6 | 1" 1/4 |
| FM060 | FLT310640 | 6 | 1" 1/2 |
| FM070 | FLT310650 | 6 | 2" |



Aluminium filters flanged connections UNI PN 16
Filtro in alluminio con attacchi flangiati UNI PN 16

| Type | Code | MAX pressure bar | Connections DN |
|---------|-----------|------------------|----------------|
| 10603/F | FLT360625 | 6 | DN 25 PN 16 |
| 10604/F | FLT360632 | 6 | DN 32 PN 16 |
| 10605/F | FLT360640 | 6 | DN 40 PN 16 |
| 10606/F | FLT360650 | 6 | DN 50 PN 16 |
| 10607/F | FLT360665 | 6 | DN 65 PN 16 |
| 10608/F | FLT360680 | 6 | DN 80 PN 16 |
| 10609/F | FLT360685 | 6 | DN 100 PN 16 |
| FF110 | FLT360687 | 6 | DN 125 PN 16 |
| FF120 | FLT360689 | 6 | DN 150 PN 16 |



Cast iron body 3 way filter
Filtro con corpo in ghisa a 3 vie

| Type | Note | Code | MAX pressure bar | Connections DN |
|---------|-----------------------|-----------|------------------|----------------|
| 4.50 F | threaded filettato | FLT330625 | 6 | 1" |
| 4.50 F | | FLT330640 | 6 | 1" 1/2 |
| 4.50 F | | FLT330650 | 6 | 2" |
| 4.50 FG | flanged flangiato | FLT340625 | 6 | DN 25 PN 16 |
| 4.50 FG | | FLT340640 | 6 | DN 40 PN 16 |
| 4.50 FG | | FLT340650 | 6 | DN 50 PN 16 |

NEW

Gas filter up to 100 bar
 Filtri gas fino a 100 bar



Brass body Y type filter
 Filtro in ottone ad Y

| Type | Code | pressure bar | Connections DN | |
|------|-----------|--------------|----------------|---------------------------------|
| 413 | FLT212015 | 20 | 1/2" | |
| 413 | FLT212020 | 20 | 3/4" | Brass body |
| 413 | FLT212025 | 20 | 1" | Rubber gas seat |
| 413 | FLT212032 | 20 | 1" 1/4 | Flanged version on request |
| 413 | FLT212040 | 20 | 1" 1/2 | Corpo in ottone |
| 413 | FLT212050 | 20 | 2" | Tenute in gomma per gas |
| | | | | Versione flangiata su richiesta |



NEW

Steel body 3 way filter
 Filtro con corpo in acciaio a 3 vie

| Type | Code | pressure bar | Connections DN | |
|------|-----------|--------------|----------------|--------------------------------|
| GP1 | FLT151625 | 25 ÷ 100 | DN 1" | Corpo/Body: acciaio/steel |
| GP1 | FLT161625 | 25 ÷ 100 | DN 25 | Coperchio/Cover: acciaio/steel |



Steel body Y type filter
 Filtro in acciaio ad Y

| Type | Code | pressure bar | Connections DN | |
|------|-----------|--------------|----------------|----------------------------|
| Y | FLT514020 | 40 | DN 20 | |
| Y | FLT514025 | 40 | DN 25 | Corpo: acciaio forgiato |
| Y | FLT514032 | 40 | DN 32 | Flangiatura UNI PN40 |
| Y | FLT514040 | 40 | DN 40 | Tipo: Y |
| Y | FLT514050 | 40 | DN 50 | Ts -40°C |
| Y | FLT514065 | 40 | DN 65 | Cartuccia: acciaio inox |
| Y | FLT514080 | 40 | DN 80 | Body: steel forged |
| Y | FLT514085 | 40 | DN 100 | Flanging UNI PN40 |
| Y | FLT514087 | 40 | DN 125 | Type: Y |
| Y | FLT514089 | 40 | DN 150 | Ts -40°C |
| | | | | Cartridge: stainless steel |



Steel body filter
 Filtro in acciaio

| Type | Code | pressure bar | Connections DN | |
|------|-------------|--------------|----------------|-------------------------------|
| SDF | 1FL102525/C | 25 | DN 1" | |
| SDF | KFL102525/C | 25 | DN 25 PN40 | Corpo/Body: ASTM A350 gr. LF2 |
| SDF | 1FL102532/C | 25 | DN 1 1/4" | Cartuccia/Cartridge: INOX |
| SDF | KFL102532/C | 25 | DN 32 PN40 | Ts -40°C |

GAS FILTERS

Flanged body steel gas filters

Filtri gas in acciaio flangiati

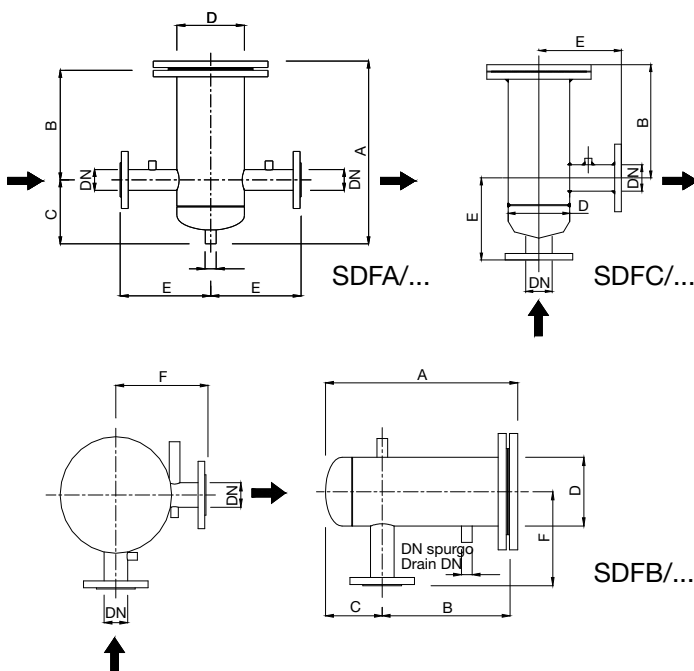


| Type | Code | pressure bar | Connections DN | |
|-------|-----------|--------------|----------------|---|
| G 0,5 | FLT610525 | 10 | DN25 PN16 | Body: ASTM A105 Flanging: UNI PN16 On request: • up to DN 200 connection • up to 85bar design pressure • Ts -40°C |
| G 0,5 | FLT610532 | 10 | DN32 PN16 | |
| G 0,5 | FLT610540 | 10 | DN40 PN16 | |
| G 1 | FLT611040 | 10 | DN40 PN16 | |
| G 1 | FLT611050 | 10 | DN50 PN16 | Corpo: ASTM A105 Flangiatura: UNI PN16 Su richiesta: • diametri fino a DN 200 • pressioni fino a 85bar • Ts -40°C |
| G 1,5 | FLT611550 | 10 | DN50 PN16 | |
| G 1,5 | FLT611565 | 10 | DN65 PN16 | |
| G 1,5 | FLT611580 | 10 | DN80 PN16 | |
| G 2 | FLT612080 | 10 | DN80 PN16 | |
| G 2 | FLT612085 | 10 | DN100 PN16 | |

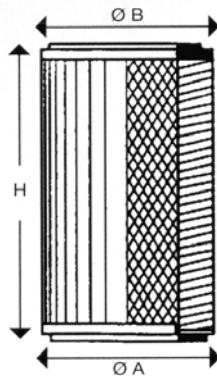
Notes:

- For filter with different inlet/outlet diameter, the dimension "E" remain the same.
- PN SERIES: design pressure Ps 30 bar (rating PN40) & 10 bar (rating PN16) (design code VSR-M-S ed. 1999 adjust to PED).
- PN SERIES: on request connections with ANSI 150 and 300 flanges (In this case dimensions E and F according to PN SERIES).
- Standard design temperature PN series -10°C/+60°C ANSI series -10°C / +100°C .
- PN SERIES: on request materials with design temperature -40°C.
- ANSI SERIES: design pressure 85 bar (Rating ANSI 600) (design code ASME VIII div.1 ed. 2003).

- Per filtri con diametri di entrata/uscita diversi la misura "E" rimane la stessa.
- SERIE PN: pressione di progetto Ps di 30 bar (rating PN40) e 10 bar (rating PN16) (progetto secondo raccolte VSR-M-S ed. 1999 adeguata PED).
- SERIE PN: su richiesta bocchelli flangiati ANSI 150 (Ps 19 bar) e 300 (Ps 30 bar) (in questo caso dimensioni E ed F come serie PN).
- Temperatura di progetto standard serie PN -10°C/+60°C serie ANSI -10°C/+100°C
- SERIE PN: su richiesta materiali con temperatura di progetto -40°C.
- SERIE ANSI: pressione di progetto Ps di 85 bar (Rating ANSI 600) (progetto secondo ASME VIII div.1 ed. 2003).



| | TIPO - TYPE | DN bocchelli disponibili Available nozzle DN | DN Spurgo Drain DN | A | B | C | D | E | F | Tipo Cartuccia Cartridge Type | Capacità Totale (litri) Total Volume (liters) |
|---------------------------|--------------|---|-----------------------|-----|-----|-----|-------|-----|-----|----------------------------------|--|
| SERIE PN PN series | SDFA-B-C/0.5 | 25 40 | 3/4" | 289 | 155 | 134 | 114.3 | 150 | 150 | G 0,5 | > 2 |
| | SDFA-B-C/1 | 40 50 | 3/4" | 410 | 250 | 160 | 141 | 200 | 200 | G 1 | 5 |
| | SDFA-B-C/1,5 | 50 65 80 | 3/4" | 505 | 320 | 185 | 168 | 225 | 230 | G 1,5 | 8 |
| | SDFA-B-C/2 | 80 100 | 3/4" | 610 | 390 | 220 | 219 | 250 | 250 | G 2 | 19 |
| SERIE ANSI ANSI series | SDFA-B-C/0.5 | 25 40 | 3/4" | 346 | 155 | 134 | 114.3 | 170 | 170 | G 0,5 | > 2 |
| | SDFA-B-C/1 | 40 50 65 | 3/4" | 421 | 220 | 147 | 141.3 | 225 | 225 | G 1 | 5 |
| | SDFA-B-C/1.5 | 50 65 80 | 3/4" | 560 | 290 | 213 | 168.3 | 240 | 240 | G 1,5 | 8 |



Polyester felt and bore plate with filtering degree 1 - 3 - 5 - 50 micron at 98%

Poliestere di feltro e lamiera forata di rinforzo con grado di filtrazione: 1 - 3 - 5 - 50 micron al 98%

Filter cartridges Cartucce filtranti

| Type | G 1 | G 1,5 | G 2 | G 2,5 | G 3 | G 4 | G 5 | G 6 |
|-------------------------------------|-------|-------|------|-------|------|------|------|------|
| H mm | 165 | 210 | 270 | 283 | 320 | 415 | 470 | 625 |
| Ø A mm | 95 | 120 | 165 | 200 | 252 | 299 | 390 | 475 |
| Ø B mm | 50 | 69 | 86 | 110 | 138 | 186 | 246 | 320 |
| Superficie filtrante m ² | 0,125 | 0,23 | 0,47 | 0,725 | 0,95 | 1,45 | 2,30 | 4,20 |

Filter cartridges, capacity data in Stmc/h Portata cartucce per filtri in Stmc/h

| Δp - MBar | 10 | 25 | 50 | 100 |
|--|------|-------|-------|--------|
| | Q | Q | Q | Q |
| FE-0,5/BP (1 cartuccia / 1 cartridge G/0,5) | | | | |
| 0,5 | 60 | 100 | 140 | 195 |
| 1,5 | 80 | 125 | 180 | 250 |
| 5 | 125 | 195 | 280 | 390 |
| 12 | 185 | 290 | 410 | 580 |
| FE-1/BP (1 cartuccia / 1 cartridge G/1) | | | | |
| 0,5 | 220 | 340 | 490 | 690 |
| 1,5 | 280 | 450 | 630 | 900 |
| 5 | 440 | 690 | 980 | 1390 |
| 12 | 650 | 1000 | 1450 | 2050 |
| FE-1,5/BP (1 cartuccia / 1 cartridge G/1,5) | | | | |
| 0,5 | 340 | 540 | 770 | 1050 |
| 1,5 | 440 | 700 | 1000 | 1400 |
| 5 | 690 | 1050 | 1550 | 2200 |
| 12 | 1000 | 1600 | 2250 | 3200 |
| FE-2/BP (1 cartuccia / 1 cartridge G/2) | | | | |
| 0,5 | 540 | 840 | 1190 | 1650 |
| 1,5 | 690 | 1080 | 1500 | 2150 |
| 5 | 1070 | 1680 | 2380 | 3350 |
| 12 | 1550 | 2450 | 3500 | 4950 |
| FE-2,5/BP (1 cartuccia / 1 cartridge G/2,5) | | | | |
| 0,5 | 980 | 1550 | 2200 | 3100 |
| 1,5 | 1270 | 2000 | 2800 | 4000 |
| 5 | 1950 | 3100 | 4350 | 6200 |
| 12 | 2900 | 4550 | 6450 | 9100 |
| FE-3/BP (1 cartuccia / 1 cartridge G/3) | | | | |
| 0,5 | 1350 | 2100 | 3000 | 4250 |
| 1,5 | 1750 | 2750 | 3900 | 5500 |
| 5 | 2700 | 4250 | 6000 | 8500 |
| 12 | 4000 | 6250 | 8800 | 125000 |
| FE-4/BP (1 cartuccia / 1 cartridge G/4) | | | | |
| 0,5 | 2500 | 3900 | 5600 | 7900 |
| 1,5 | 3200 | 5100 | 7200 | 10200 |
| 5 | 5000 | 7900 | 11200 | 15500 |
| 12 | 7400 | 11600 | 16500 | 23000 |