

SAMTECH RELIEF VALVE FOR LPG TANKS CAPS

The Relief Valve for LPG tanks Samtech is applied pushed, without thread, on the caps for underground LPG tanks.

This valve offers mechanical features developed for utilization in heavy conditions.

The Relief Valve prevents from water infiltration inside the caps, it is built with watertight materials.

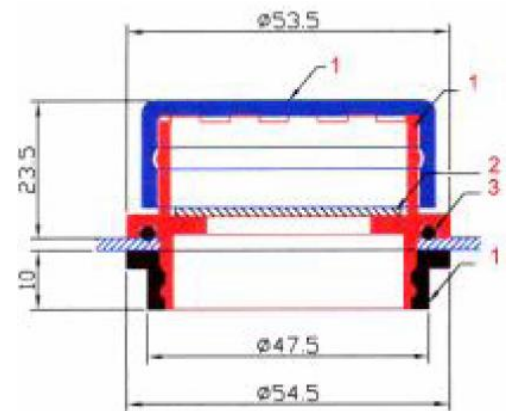
Inside of the valve there is a plastic disk that releases out any pressure above 150 mbar, that can be produced in the cap.

The valve is fixed on the upper hole of the tank cap, fastening a o-ring seal and then is fixed with a plastic ring.

Construction materials of the valve are listed below.

Features of materials 1) Polietilene and 2) PBT

- Resistance to crash and high temperature
- Waterproof and resistance to LPG and many chemical agents
- Elasticity
- Resistance to atmospheric agents
- Resistance to UV- rays
- Self-extinction of V0 level. according to UL



Valve dimensions

Features of 3) NBR

- Waterproof and resistance to LPG and many chemical agents
- High elasticity



Samtech Relief valve mounted on a horizontal tank cap

Samtech s.r.l. guarantees for the materials the observation of CE directives